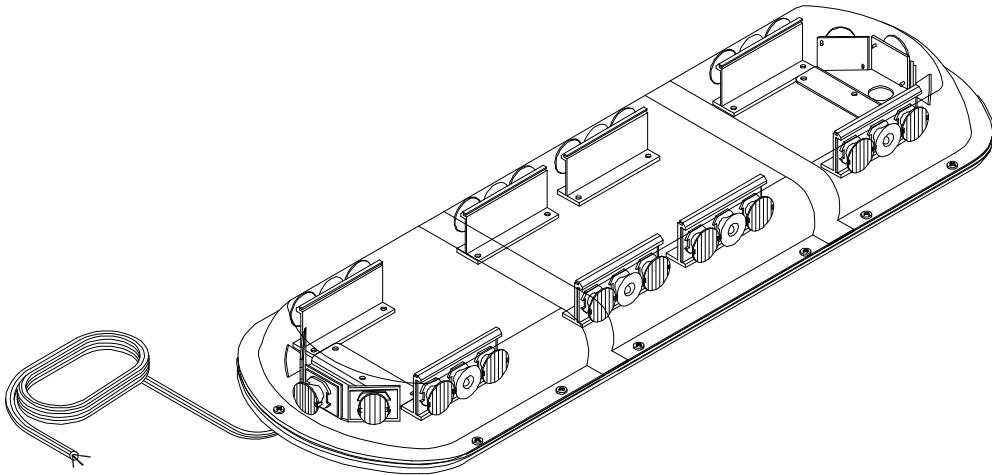




Luminator LED Stretch Bar
Model 12.1227
Permanent Mount



GENERAL INFORMATION:

The **SHO-ME**® Luminator LED Stretch Bar is equipped with a solid state LED flasher. The LED flasher has 15 flash patterns including random. To change flash patterns momentarily apply +12v to the white mode wire. Each time +12v is applied, the flash patten will change.

FLASH PATTERNS

- | | | |
|-------------------------|-------------------------------|---------------------------|
| 1. Quad Alternating | 6. Left Steady/ Right Steady | 11. Double Flash All |
| 2. Single Flash 120 FPM | 7. Single Chase | 12. Quad Flash All |
| 3. Single Flash 240 FPM | 8. HyperFlash All | 13. SuperMEGA - steady |
| 4. Double Chase | 9. Steady Fade | 14. Random Non Sequential |
| 5. Back & Forth | 10. Single Alternating 90 FPM | 15. Random All |

INSTALLATION INSTRUCTIONS:

Determine location to mount your Luminator LED Stretch Bar. Attach bolts to bottom of your **SHO-ME**® Luminator LED Stretch Bar. Keep in mind airbag deployment area and any other obstacles. Run wire inside of vehicle and connect to switch. A momentary switch is required to change flash patterns.

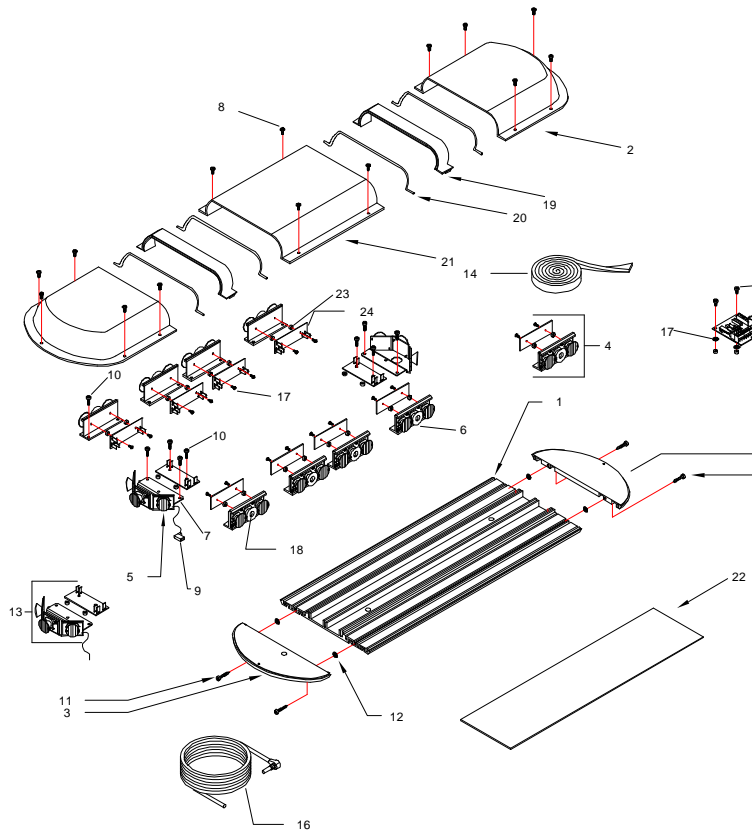
If mounting this product requires drilling holes, the installer **MUST** be sure that no vehicle components or other vital parts could be damaged by the drilling process. Check both sides of the mounting surface before drilling begins. Also de-burr any holes and remove any metal shards or remnants. Install grommets into all wire passage holes.

Use only soap and water to clean the outer lens. Use of other chemicals could result in premature lens cracking and discoloration. Lenses in this condition have significantly reduced effectiveness. Inspect and operate this product regularly to confirm its proper operation and mounting condition. **Do not use a pressure washer to clean this product.**



PRODUCTS COMPANY • 804 East Hwy. 248 • Cassville, MO 65625
U.S. and Canada Toll Free Numbers • Phone: 800-641-4098 FAX: 800-526-1240
E-mail: sales@able2products.com WEB: www.able2products.com

**Parts List for 12.1227
Luminator Stretch Bar
Permanent Mount**



ITEM	MODEL NO.	DESCRIPTION	QTY
1	90.4986.000	21" Long Extrusion	1
2	90.6137.C00	Clear Lexan End Cover	2
3	90.6125.000	Black Plastic Endcaps	2
4	12.9530.000	Luminator (Amber, Blue,Red,White,Green)	8
5	90.6246.000	Oval Sublens 4x27 Degrees	22
6	90.6245.000	Luminator Lens	30
7	90.4207.000	Alum end bracket for K-2	2
8	90.4002.000	#8 X 1/2 812 Self Tapping Screw	14
9	90.3515.000	Flag Term	28
10	90.4720.000	10mm Screw	32
11	90.4021.SS	Endcap Self Tapping Screws	4
12	90.4530.000	#8 External Tooth Lock washer	6
13	12.9540.000	End section Luminator (Amber, Blue, Red, White,Green)	2
14	90.6039.000	1/8" X 3/4" Black Foam Adhesive 68"	1
15	95.3728.000	Luminator Flasher 5 outputs	1
16	44.0183.000	Power Cord 4 Wire 15 ft	1
17	90.4800.SS	4-40 x 1/4 PH MS	60
18	90.3977.000	LXK2(Red,Amber,or Blue)LED Light	30
19	90.6138.000	Lens Joiner	2
20	90.6747.000	Rubber Gasket	4
21	90.6136.000	Clear Lexan 10" Middle cover	1
22	90.4511.000	19-3/8"x5" Metal for Top of Light	1
23	90.6943.000	Spacers	22
24	95.5015.000	Driver	10

LIMITED WARRANTY

Able 2 Products Company warrants each new product (except bulbs, strobe tubes, strobe power supplies and LED Products) to be free from defects in material and workmanship for a period of two years from the date of purchase. During this warranty period, the obligation of Able 2 is limited to repairing or replacing, as Able 2 may elect, any part or parts, which after examination by Able 2 are determined to be defective, when they are delivered pre-paid. This limited warranty does not cover travel expense, the cost of specialized equipment for gaining access to the product, or labor charges for the removal and re-installation of the product.

Able 2 Products Company shall not be liable for incidental or consequential damages, including but not limited to : Loss of use of vehicle, Rental of substitute vehicle, Loss of time, Loss of work, Inconvenience, Transportation expenses, Telephone, Lodging, Loss of revenue, Loss of and /or damage to personal property for or arising out of breach of any express or implied warranty of its products.

Use of lamp or other electrical load of a wattage higher than installed or recommended by the factory, or use of inappropriate or inadequate wiring or circuit protection causes this limited warranty to become void. Able 2 Products Company will in no way be liable for any loss of profits or any indirect or consequential damages arising out of any such defect in material and workmanship whether loss is due to negligence or breach of warranty. This limited warranty does not apply to shipping damage, accident, alteration, tampering, misuse or abuse and unauthorized service.

This limited warranty is expressly in lieu of all other express or implied warranties, including the implied warranty of merchantability and the implied warranty of fitness for a particular purpose, and of all other obligations or liabilities on the part of Able 2 Products Company. There are no warranties, unless expressed in authorized Able 2 literature, which extend beyond the description of the face hereof. No dealer, distributor, employee, or representative of the company is authorized to change this warranty in any way or to grant any other warranty.

WARRANTIES:

All LED Products	5 Years
T Model & Potted Strobe Power Supplies	2 Years
All Other Strobe Power Supplies	5 Years
All Other Products EXCEPT Bulbs	2 Years (under normal use)
Strobe Tubes	1 Year (under normal use)

NOTE: Halogen and Incandescent Bulbs are not covered by warranty.

PRODUCT RETURNS

If a product must be returned, contact our factory by calling 1-800-641-4098 to obtain a Return Authorization Number (RA) before you ship the product. Write the RA Number clearly on the package and return it to Able 2 Products Company, P.O. Box 543, 804 E. Hwy. 248, Cassville, MO 65625-0543. A packing slip should be included with all shipments listing the sender's name, address, daytime phone number and description of defect. Your product will be put in first-class operating condition or replaced with a new part, and returned pre-paid.