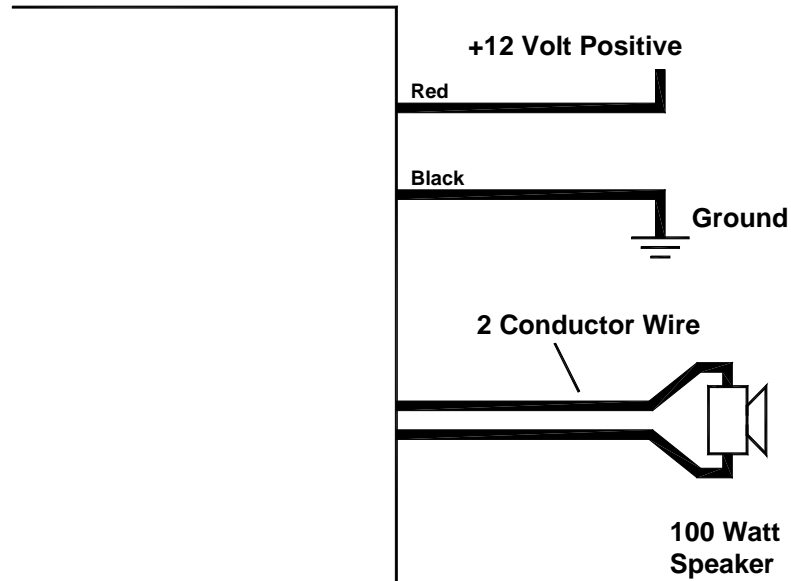


WIRING DIAGRAM



Installation Manual

SHO-ME[®]

ELECTRONIC SIREN

Model 30.3109

Manufactured in the U.S.A

Other quality products manufactured by SHO-ME[®]

Speakers; LED Lights; Strobe Lights (Directional and 360°);
Headlight Flasher Kits; Teardrop, Pancake and Roto-Beacon Lights;
Mini-Bars; Stainless Steel Grille and Deck Lights;
Custom Switch Panels; Spot and Flood Lights;
6 Volt Rechargeable Lights; Map Lights; Megaphones;
Accessory Outlets; Bucket Lights
and many more Components and Accessories.



P.O. Box 543 • 804 E. Hwy 248 Cassville, MO 65625-0543

Local and International Numbers

Phone: 417-847-4791 Fax: 417-847-2222

U.S. and Canada Toll-Free Numbers

Phone: 800-641-4098 Fax: 800-526-1240

ELECTRONIC SIREN

MODEL 30.3109

INTRODUCTION

The 30.3109 siren consists of an amplifier which powers one 100 watt RMS speaker.

The 30.3109 siren system includes a three position rocker switch, which allows the operator to select the WAIL or YELP functions. The HORN sound is actuated by the momentary switch included.

INSTALLATION OF POWER AMPLIFIER

Select a location suitable for installation of the amplifier. This area must be free from moisture, heat, and abuse. Take special care to be certain the siren is not mounted in the deployment area of the air bag! Using the mounting bracket as a template, mark the location of the mounting holes. Drill holes at these locations to assist in starting the mounting screws provided. Mount the bracket, then mount the siren to the bracket using the screws and washers supplied. All installations are the sole responsibility of the buyer.

SPEAKER CONNECTIONS

Use only one 100 watt speaker with an 11 ohm impedance. Route the 16-2 speaker wire from the siren, to the front of the car to the speaker. Be careful to protect the wire from abrasion and cuts as it passes through the firewall and other potential problem areas. Cut off any excess wire, and connect to the speaker terminals.

POWER INPUT CONNECTIONS

Connect the black wire from the siren, to a convenient and solid ground (-). Connect the red wire to a positive (+) voltage source capable of supplying 20 amps. To protect the wiring going to the siren, install an in-line fuse or circuit breaker on the end of the wire as close to the positive source as possible. The current draw of the siren during operation is approximately 8 amps, when supplied by 13.8 volts. The current draw of the siren when power is applied, but no functions are selected is approximately .03 amps.

OPERATION

By depressing the side of the rocker switch marked "WAIL", that sound will be produced and the "WAIL" indicator light will come on. Likewise, depressing the side of the rocker switch marked "YELP", that sound will be produced and the "YELP" indicator light will come on. Anytime the "HORN" button is depressed, that sound will be made, and the "HORN" indicator light will come on. This sound will over-ride either "WAIL" or "YELP" functions.

WARRANTY

Merchandise returned under warranty shall be subject to factory inspection and repaired, replaced, or credited at Able 2 Products Company, Inc.'s option. Water, condensation, or negligence will **VOID** warranty. This unit's warranty period is for 2 years parts and labor.